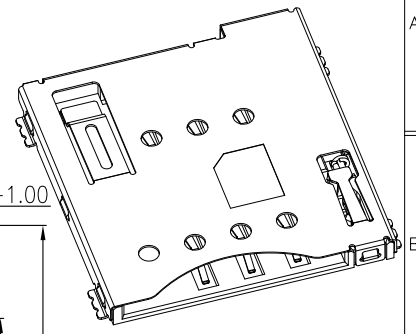
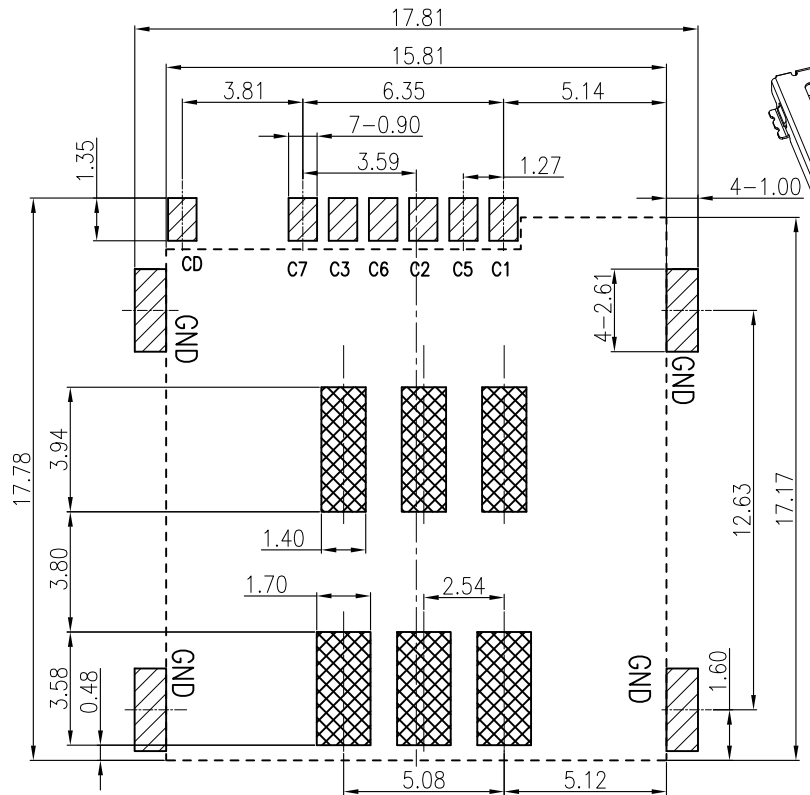
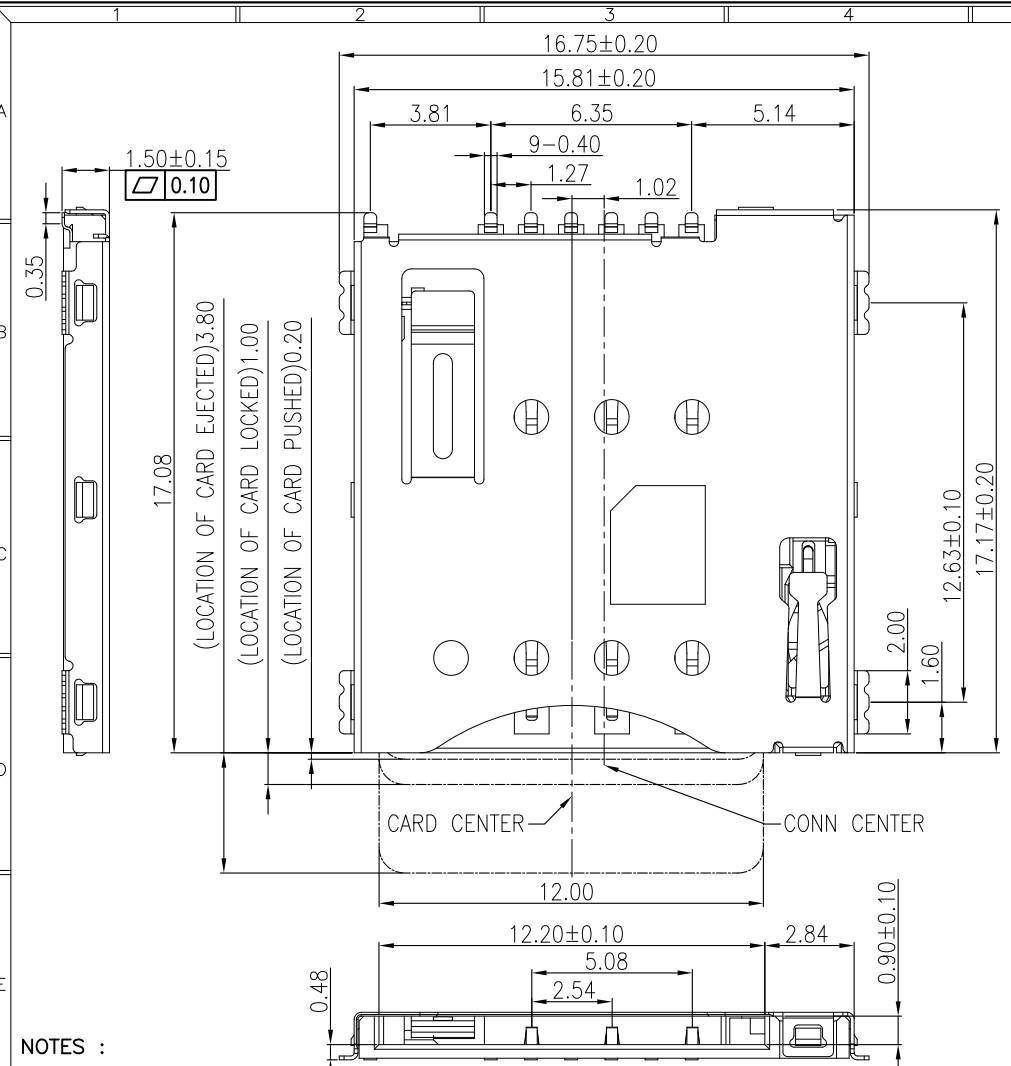


REV.	ECN.NO.	MODIFY.CONTENT
A		初版发行

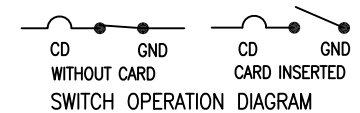


MicroSIM CARD	
Pin No.	NAME
C1	VCC
C2	RST
C3	CLK
C4	Reserved
C5	GND
C6	VPP
C7	I/O
C8	Reserved

RECOMMEND P.C.B LAYOUT
(General tolerance ±0.05)

- PAD AREA
- KEEP OUT AREA(NO Trace&Via&GND)
- CONNECTOR OUTLINE

ELECTRIC FUNCTION	DETECT SWITCH
WITHOUT CARD	CLOSED
CARD INSERTED	OPEN



- NOTES :
- MATERIAL :
 - HOUSING:LCP UL94 S475 V-0, BLACK COLOR.
 - SHELL:STAINLESS STEEL SUS304.
 - CONTACT:COPPER ALLOY C5210.
 - FINISH :
 - CONTACT: GOLD PLATING ON CONTACT AREA, MATTE TIN 80u"MIN ON SOLDERTAIL AREA. 50u" MIN NICKEL PLATING OVERALL.
 - SHELL: 30U" MIN SOLDERABLE NICKEL PLATED OVER ALL. GOLD FLASH ON SOLDER AREA

- ELECTRICAL CHARACTERISTICS:
 - OPERATING VOLTAGE : 100V AC(rms)/DC.
 - CURRENT RATING : 0.5 A.
 - OPERATING TEMPERATURE: -40°C~+85°C.
 - CONTACT RESISTANCE: 100 m OHMS MAX.
 - INSULATION RESISTANCE: 1000M OHMS MIN. AT 250VDC.
 - DIELECTRIC WITHSTANDING VOLTAGE:500 VAC/1MINUTE.

PART.NO.:
SP165-AP401-**-**

- 116: 功能区镀金G/F,锡脚镀雾纯锡至少80U"
- 42: 功能区镀金1U",锡脚镀雾纯锡至少80U"
- 43: 功能区镀金3U",锡脚镀雾纯锡至少80U"
- 44: 功能区镀金5U",锡脚镀雾纯锡至少80U"
- 45: 功能区镀金10U",锡脚镀雾纯锡至少80U"
- 46: 功能区镀金15U",锡脚镀雾纯锡至少80U"
- 47: 功能区镀金30U",锡脚镀雾纯锡至少80U"

GENERAL TOLERANCE	DWG.NO.	SP165-AP401-00	PART.NO.	SP165-AP401-**-**	DRAWN	L.M.J 2022.07.13
x.±0.50	REV.	A	TITLE	MICRO SIM PUSH 6PIN H1.50	CHECKED	
.x±0.25	SIZE		SHEET	1 OF 2	APPROVED	
.xx±0.15	A4					

UNIT mm SCALE 1:1

OLN 东莞市欧联电子科技有限公司
DONGGUAN OLN ELECTRONICS TECHNOLOGY CO., LTD.

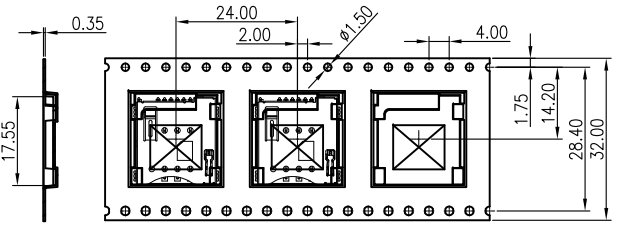
REV.	ECN.NO.	MODIFY.CONTENT
A		初版发行

东莞市欧联电子科技有限公司

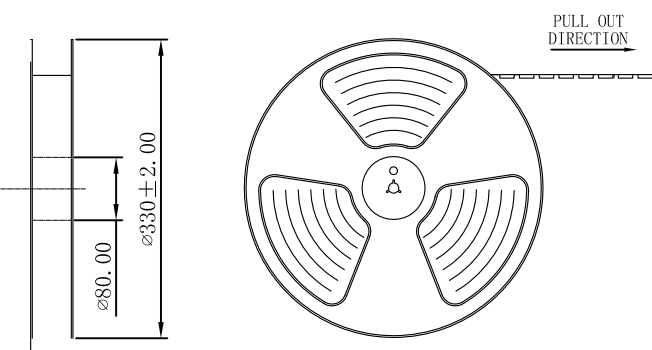
包装作业规范

包装作业图示及说明 (PACKING OPERATION DIAGRAM & INSTRUCTION)

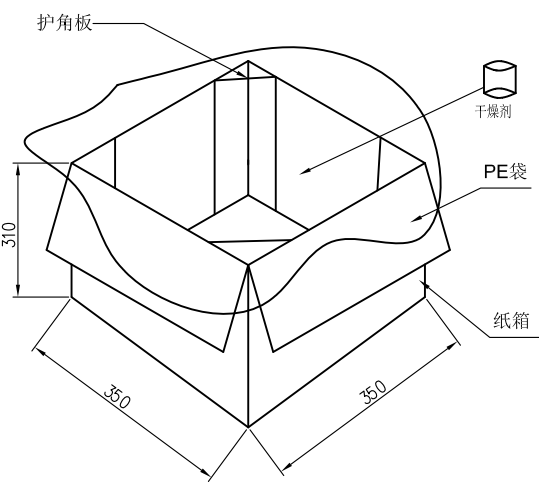
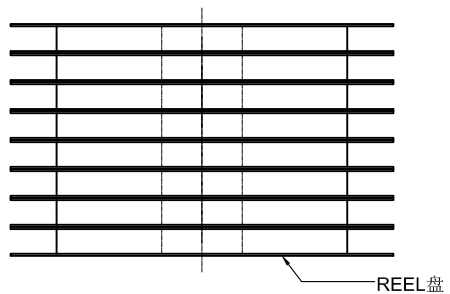
- 一.
- 1) 将成品一一放入REEL包装盘内,依同一方向放入.
 - 2) 包装时,如下图所示.
 - 3) 一个REEL包装盘放置1000个成品.



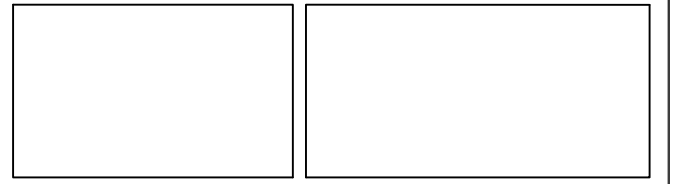
- 二.
- 1) 装盘前先把前面空10格,然后再开始装盘, 尾端也需空出10格,上带加长200mm.
 - 2) 装满成品的REEL包装盘如下图所示.



- 三.
- 1) 每箱装 10 盘REEL包装盘.
 - 2) 每箱放置 10000 PCS 的成品.



- 四.
- 1) 用TAPE将纸箱封实.



備註 (REMARK)

1. 若有未装满之零数箱,必须以缓冲材塞满.

GENERAL TOLERANCE		DWG.NO.	SP165-AP401-00	PART.NO.	SP165-AP401-**	DRAWN	L.M.J 2022.07.13
x.±0.50	x.°± 2°	REV.	A	TITLE	MICRO SIM PUSH 6PIN H1.50	CHECKED	
.x±0.25	.x°± 1°	SIZE		SHEET	2 OF 2	APPROVED	
.xx±0.15	.xx°± 0.5°	A4					

UNIT	mm	SCALE	1:1
东莞市欧联电子科技有限公司 DONGGUAN OLN ELECTRONICS TECHNOLOGY CO., LTD.			